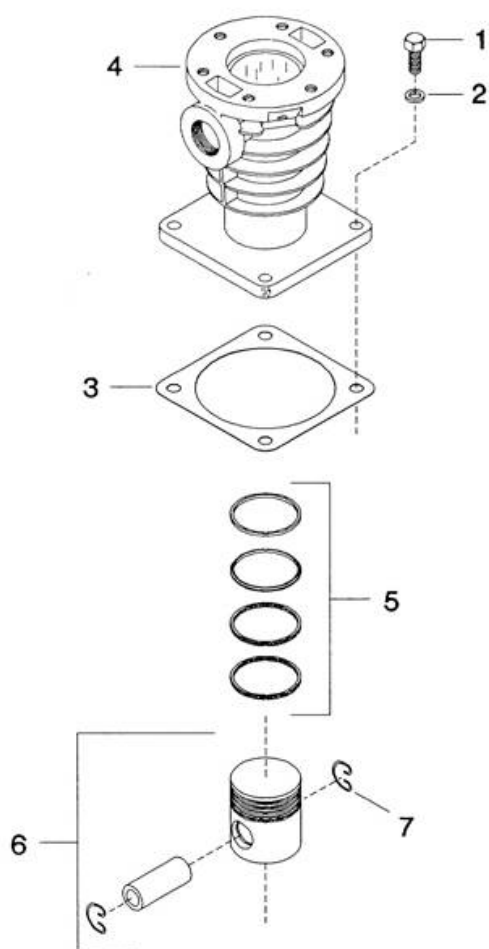
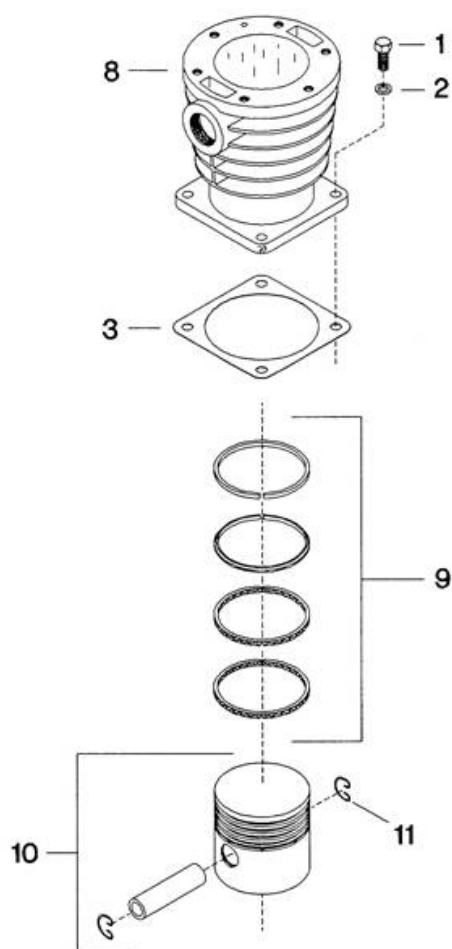


4. Pistons, Rings & Cylinders - Model 15T



**3.5 INCH
PISTON, RINGS, & CYLINDER**



**5 INCH
PISTON, RINGS & CYLINDER**

4. Pistons, Rings & Cylinders - Model 15T

REF. NBR.	PART NUMBER	DESCRIPTION	UNITS PER. ASSY.	REC. SPARES		
				1	2	3
4-1	95053567	CAPSCREW - HEX 1/2-13 x 1-1/4	12			
4-2	95674701	GASKET - COPPER WASHER 1/2	12			
4-3	30294235	GASKET, FLANGE	3	3	3	6
4-4	37128501	CYLINDER, AIR - 3.5 INCH HIGH PRESSURE	1			
4-5	32218182	SET, RING - 3.5 INCH HIGH PRESSURE	1	1	1	2
4-6	30215198	PISTON, AIR - COMPLETE - 3.5 INCH HIGH PRESSURE	1		1	1
4-7	30288450	●RING, LOCK	2			
4-8	37128782	CYLINDER, AIR - 5 INCH LOW PRESSURE	2			
4-9	32198376	SET, RING - 5 INCH LOW PRESSURE	2	2	2	4
4-10	32054504	PISTON, AIR - COMPLETE - 5 INCH LOW PRESSURE	2		2	2
4-11	30288450	●RING, LOCK	2			
IF PISTON RING REPLACEMENT IS DESIRED, WE RECOMMEND AN ECONOMICAL RING/GASKET KIT. SEE PAGE 10.						

All manufacturer's names, numbers, photos, product description and/or part numbers are used for reference purposes only & it is not implied that any part listed is the product of these manufacturers. Since Approvement are made from time to time, the illustration and specifications are subject to change without notice.